

# Cool&Fun

## Electric skateboard User's Manual



## PREPARTION

1. Check the switch of the handle/skat eboard in place, as the diagram;

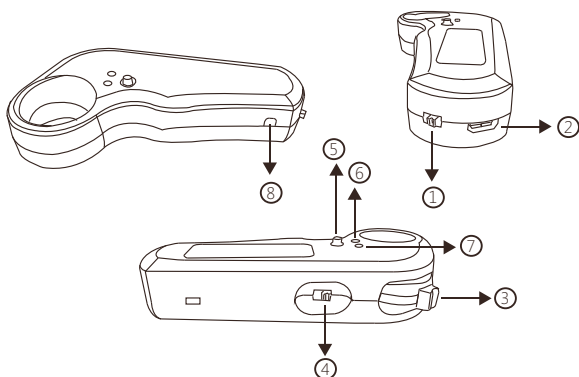
A. Make sure that the Skateboard Power switch in off state.

B. Put the switch of "slow/fast" model to "Slow" mode on the handle.

C. Ensure the remote control was fully charged.

2. The Skateboard should be fully charged before first use.

## REMOTE CONTROL DIAGRAM



1. Power Switch

2. MINI USB Charging Port

3. Start/Brake switch

4. Speed switch(Slow/Fast)

5. Direction switch(Forward/Backward Key)

6. Backward Indicator/Charging Indicator

7. Forward Indicator

8. Reset

When the handle can't use or invalid, click on "Reset" to make it work(ensure the remote control has power).

## POWER INDICATOR

The remote control is build-in Li-polymer battery, when it's low power the red indicator will flash and with "Beep" alarm, you should turn off the skateboard and charge the remote control.

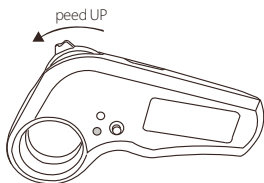
Please stop use the remote control when it's low charge.

## OPERATION

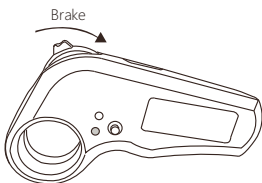
Start When Slide "power switch",the"Forward indicator"will be light (red indicator).

### FORWARD & BACKWARD MODE:

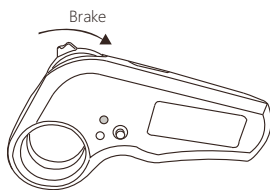
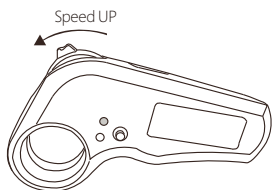
1.If want move forward, push the"start/brake switch" and hold on the position, the skateboard will keep moving forward, loosen your grip, the speed will slow down. Pull the back of key, it will be brake.



5



2.Switch the driving model to "Backward indicator/Chargin indicator", do the same operation as forward step.

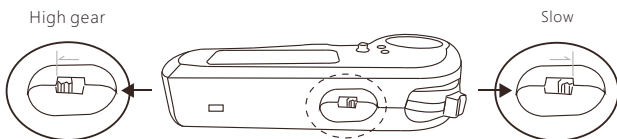


### SLOW & FAST MODE:

1.Bedore start the skateboard, the switch key is on the right side, it's the "High gear" mode.

2.Switch key to right side, it will be in "Slow" mode.

we strongly suggest beginner keep use of beginner model.



## CHARGER

Skateboard's an external charge. First the charger plug into the skateboard's charging port. Charging port is located in the battery compartment side(front inserted to open the slide waterproof plug) and then the charger plug into the power source.

Charger LED is red-the battery is charging. Charger LED is green-charging complete. Avoid long-term without electricity or battery is fully charged. In order to optimize the performance of slide, should be charged every month on one charge(3 hours).

Please use electric skateboard standard charger. Not using a mobile phone or other charging charger.

## BATTERY

- 1.Please use the matched lithium battery.
- 2.Please don't place the battery under fire,water or environment of extreme temperature.
- 3.Please don't use the impacted or aging battery.
- 4.Please don't put the charging batteries in easily ignored places.
- 5.Please stop charge when the batteries are under abnormal conditions such as heating.

Specification	Size Weight	970*240*138mm 8KG
Product Performance	Load Max Speed	Up to 120KG 28-32 km/h
Battery	Type Standard Voltage Capacity Range Brand	Lithium-ion 36V 6.6AH 25-28km LG
Motor	Max Power	500-800W
Charger	Input Voltage Output Current Charge Time	AC110~240V 1.5A 3-4 Hours
Control Model	Remote	2.4G RF Technology
Speed	Fast/Slow	Adjust By Switch
Wheel	Type Size	PU 90*52mm
Packing box	inner size outer size	975*150*280mm 985*155*285mm



**Please kindly noted:**

All the data is got based on below cases: payload 60KG, constant speed with 25km/h at the condition of flat road, breezeless, straight driving, barrier-free.